



# PARTS



**FAX TAB**

To: *DANNIS HESTER*

Company: \_\_\_\_\_

Comment: \_\_\_\_\_

\_\_\_\_\_

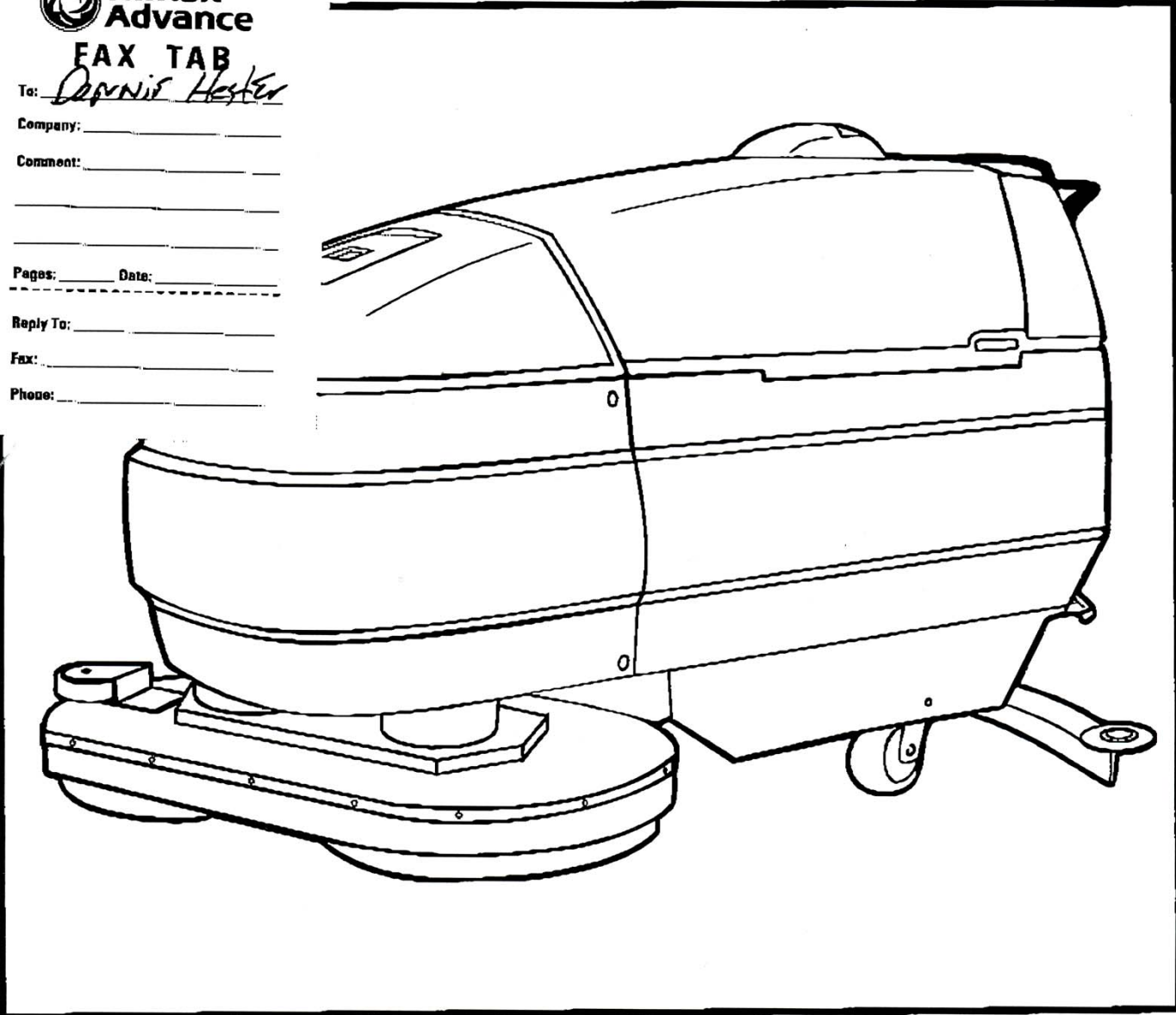
\_\_\_\_\_

Pages: \_\_\_\_\_ Date: \_\_\_\_\_

Reply To: \_\_\_\_\_

Fax: \_\_\_\_\_

Phone: \_\_\_\_\_



## VS28/VS70 (A)

### Spare Parts List

## TABLE OF CONTENTS

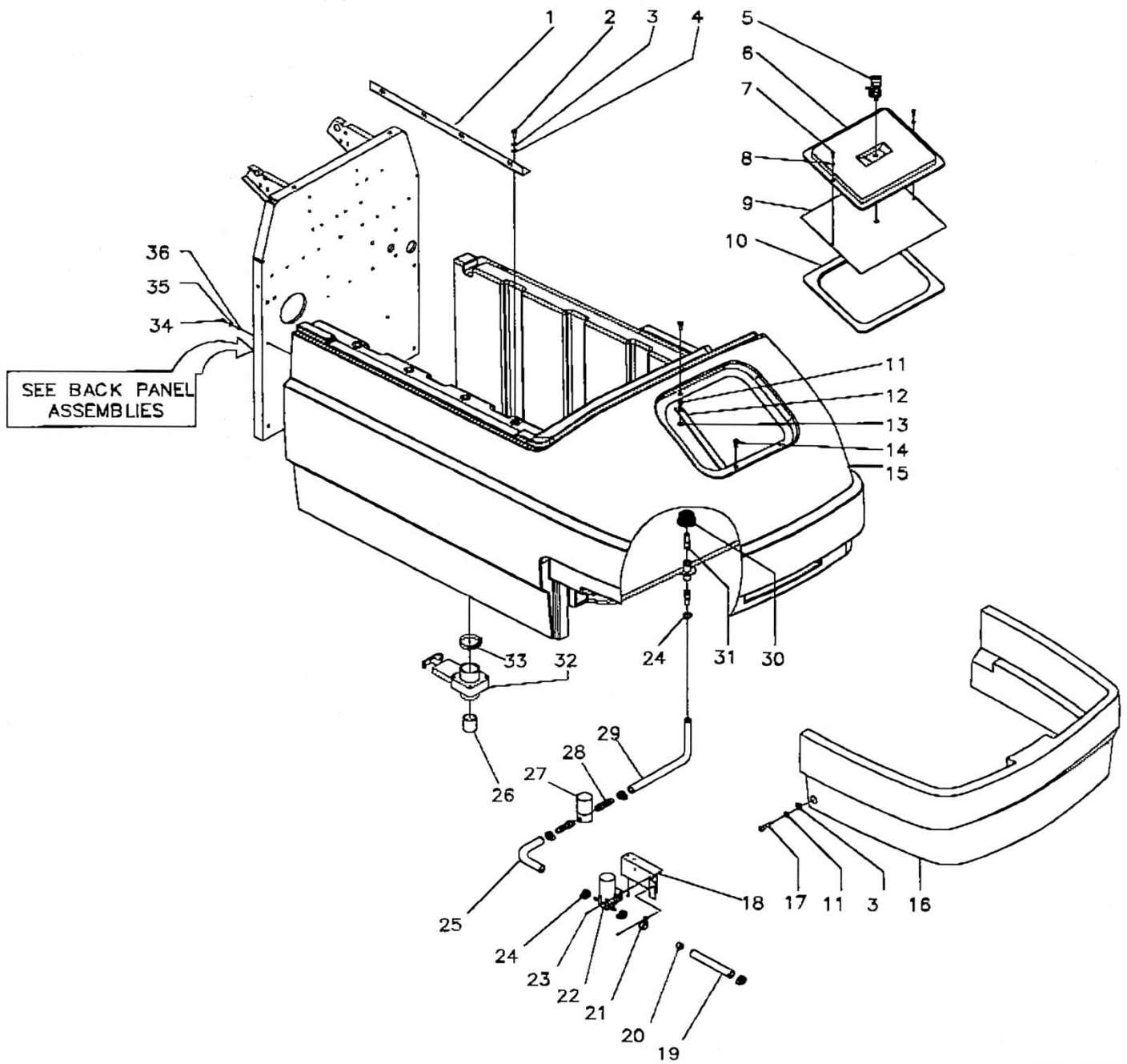
SOLUTION TANK ASSEMBLY.....	2-3
RECOVERY TANK ASSEMBLY.....	4-5
BACK PANEL ASSEMBLY.....	6-7
SQUEEGEE ASSEMBLY.....	8-9
BRUSH HEAD ASSEMBLY.....	10-11
REAR COVER ASSEMBLY.....	12-13
BRUSH COVER ASSEMBLY.....	14
FRAME ASSEMBLY.....	15
CHASSIS ASSEMBLY.....	16
WIRING DIAGRAM.....	17

### RECOMMENDED SPARE PARTS

Recommended spare parts should be ordered and stocked to avoid possible downtime in case of failure, breakage, or normal wear.

<u>PART NO.</u>	<u>DESCRIPTION</u>	<u>QTY.</u>
035302	ASM, HOSE--SQUEEGEE, BLK, 22"L	1
035129	ASM, HOSE--TANK, BLK, 36"L	1
035179	ASM, HOSE--DUMP, 1.50 DIA., BLK, 40"L	1
039276	BRUSH, MTR--FOR 027153 MOTOR	4
039428	BRUSH, MTR--FOR 024373 VAC MTR	2
047484	KNOB	1
056425	RUBBER, SQUEEGEE--27" AUTO, FRONT	1
056427	RUBBER, SQUEEGEE--27" AUTO, REAR	1
056426	RUBBER, SQUEEGEE--27" AUTO, BACKUP	1
056466	GASKET, SQUEEGEE--.187 X 2, 9.75L	1
056793	FILTER, SCREEN--1.85ID, SS	1

# SOLUTION TANK ASSEMBLY



TM-1921

# SOLUTION TANK ASSEMBLY

DET	PART NO.	DESCRIPTION	QTY
1	056514	HINGE,BUTT--RS 056291,BLACK	1
2	223218	SCR CAP HEX HD .250-20X.625L	4
3	004208	WSHR FLT .281ID.500OD.036T STL	4
4	004254	WSHR LK .267ID.510OD.028T EXT	4
5	055222	LATCH,TWIST--VIST ACTION	1
6	057040	LID,TANK--SOL TANK,27 AUTO	1
7	005587	RIVET,POP--.125DIA.,.188MAX G.R	2
8	E49455	WSHR FLT .127ID.250OD.030T STL	2
9	057041	PLATE,SS--20GA,8.25X10.75	1
10	057044	SEAL,FLEXIBLE--RS 098473,28.0L	1
11	046425	SPACER,PHEN--.250X.437, .250L	2
12	057043	BAR,STL--.120X.750, 8.75L	1
13	005480	NUT,HEX LOCK-- 10-24,NYLOC	2
14	002452	SCR MACH PAN HD 10-24X1.00L,SS	2
15	056698	TANK,SOLUTION--MACH'D,27 AUTO	1
16	056978	COVER,FRONT--FLAME TREATED,27	1
17	002471	SCR CAP SOC HD--.25-20X1.25 L	2
18	056659	BRACKET,WATER PUMP--	1
19	052887	TUBE,VINYL--.375X.625,18.00L,R	1

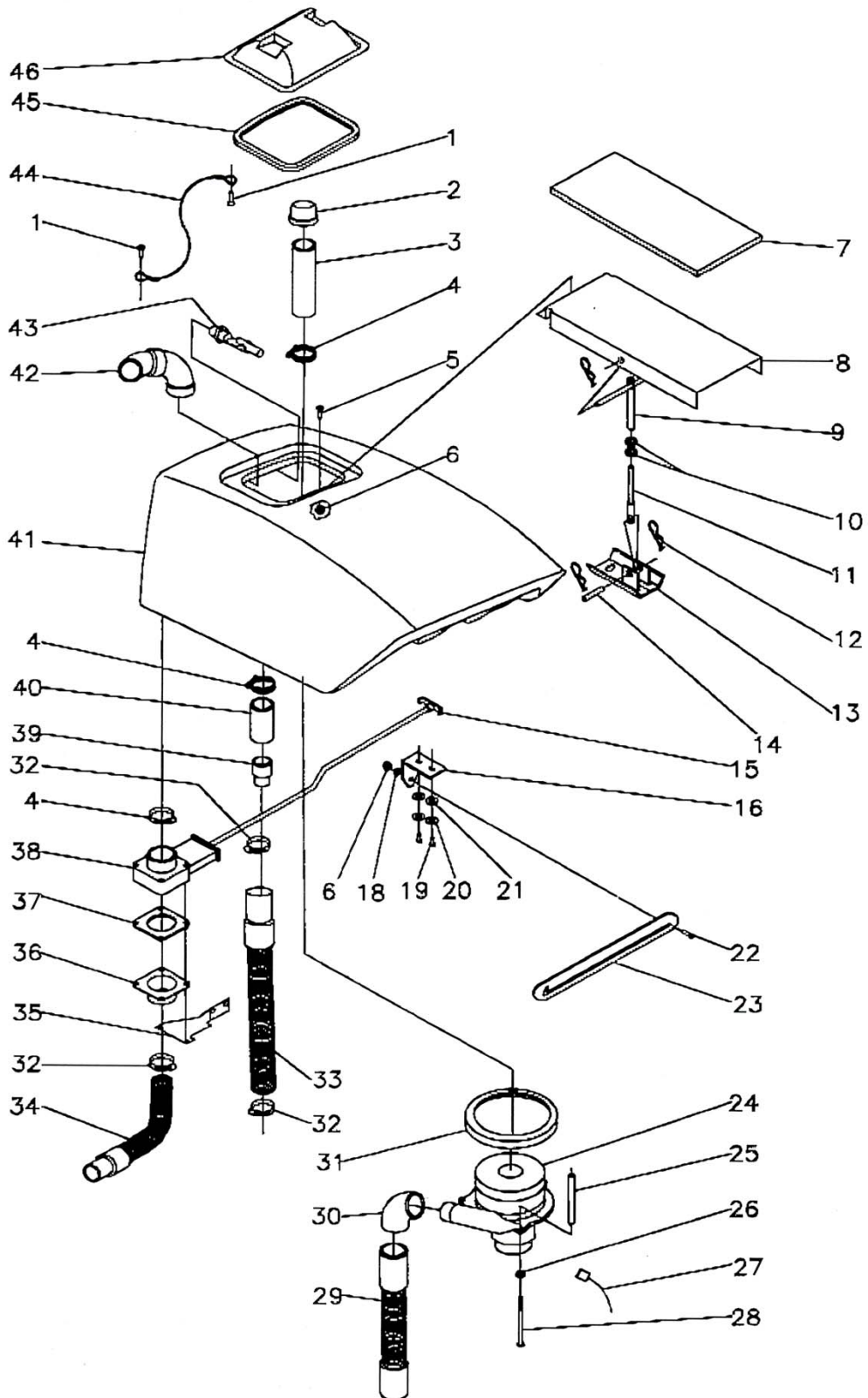
DET	PART NO.	DESCRIPTION	QTY
20	057688	SPACER,SS--.106X.400, .500L	1
21	051474	CLAMP,LOOP--.625 CLOSED ID,NYL	1
22	035257	ASM,PUMP--12V,1GPM	1
23	005316	SCR TPG F PAN HD 10-24X.375L	5
24	051581	CLAMP,HOSE--.625 MAX DIA,WORM	6
25	048505	TUBE,VINYL--.500X.750, 6.75L	1
26	056593	TUBE,PLSTC--1.58-1.50 REDUCER	1
27	027145	VALVE,SOLENOID--24V	1
28	054691	ADPTR,PP-HS--3/8MPTX3/8HS,BRS	2
29	057580-8	TUBE,VINYL--.375X.625,5.0L,R	1
30	057209	LINE STRAINER--80 MICRON,S.S.	1
31	051207	ADPTR,PP-HS--1/2MPTX3/8HS,PLS	2
32	055070	VALVE,SLIDE--SHUTOFF,1.5PIPE,T	1
33	049999	CLAMP,HOSE--2.25 MAX DIA,WORM	1
34	002242	SCR CAP SOC HD .250-20X.625L	4
35	002278	WSHR LK .262ID.489OD.062TSPLT	4
36	004254	WSHR LK .267ID.510OD.028T EXT	4

## AVAILABLE ASSEMBLIES

035297 ASM, SOLUTION TANK--INCLUDES ITEMS 1, 2, 4, 15, 26, 32, 33

035331 ASM, LID--SOLUTION TANK, INCLUDES ITEMS 5, 6, 7, 9, 10

# RECOVERY TANK ASSEMBLY



TM-1923



# RECOVERY TANK ASSEMBLY

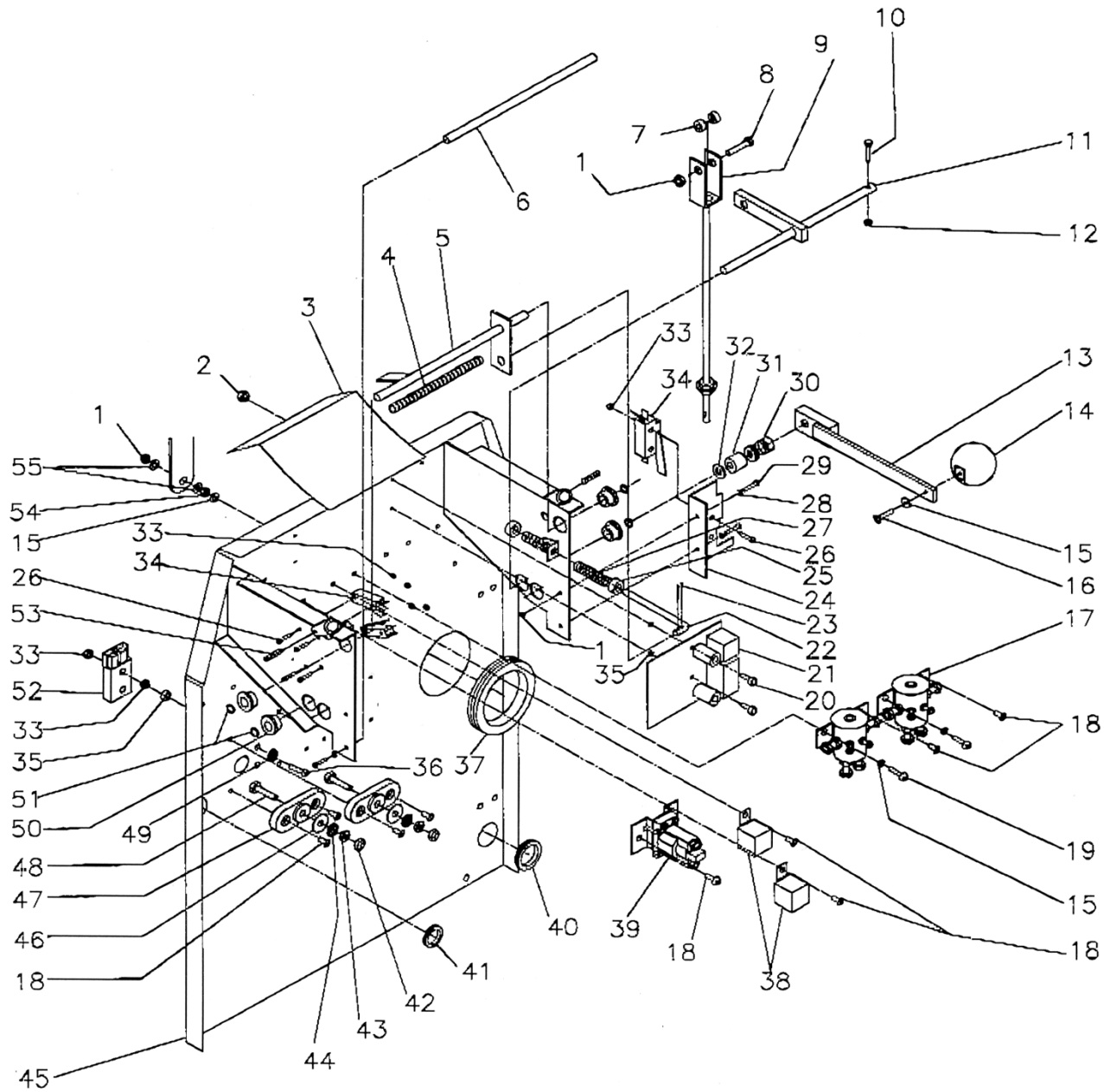
DET	PART NO.	DESCRIPTION	QTY
1	002382	SCR TPG F PAN HD 10-10X.500L	2
2	056793	FILTER,SCREEN-1.85ID,SS	1
3	055494	PIPE,PVC-1.50 SCH40 X 6.00L	1
4	049999	CLAMP,HOSE-2.25 MAX DIA,WORM	3
5	002491	SCR MACH FLT HD 10-24X1LSS	2
6	005480	NUT,HEX LOCK- 10-24,NYLOC	4
7	057029	GASKET,SUPPORT-27" AUTO	1
8	057033	PLATE,STL-REC TANK,SS	1
9	035326	WDMT,SUPPORT-AUTOS	1
10	003438	NUT,HEX JAM-.375-16,SST	2
11	035327	WDMT,SUPPORT-REC TANK	1
12	004352	PIN,LOCK--.125 DIA WIRE	4
13	057025	PLATE,STL-16GA,SS	1
14	057026	PIN,STL--3/8"OD,SS	1
15	057187	HANDLE,SLIDE VALVE--SERVICE	1
16	057504-02	BRACKET,STL-11GA,PLATED	1
18	005433	WSHR FLT .281ID.750OD.120T STL	1
19	001366	SCR MACH PAN HD 10-32X.500L	2
20	005323	WSHR FLT .203ID.500OD.036T STL	2
21	004253	WSHR LK .204ID.410OD.025T EXT	2
22	002429	SCR SHLDR SOC HD 10-24X.375 S	1
23	057508-02	BAR,STL-11GA,W/SLOT,PLATED	1
24	026056	ASM,VAC MTR-24V,3-STG,W/TERMS	1

DET	PART NO.	DESCRIPTION	QTY
25	056764	SPACER,PHEN--.265X.500X3.156L	3
26	004254	WSHR LK .267ID.510OD.028T EXT	3
27	038786	BRUSH,MTR-24 AND 36V DC VAC	2
28	223213	SCR CAP HEX HD .250-20X4.00L	3
29	035564	ASM,HOSE--BLK,CUFFS & ELBOW	1
30	056676	ELBOW,PIPE--RS 98402,CUT OFF	1
31	E23788B	RING-MOTOR MOUNTING	1
32	046688	CLAMP,HOSE--1.75 MAX DIA,WORM	2
33	035129	ASM,HOSE--TANK,1.50 DIA,BLK	1
34	035179	ASM,HOSE--DUMP,BLK,1.50 DIA	1
35	057671-05	BKT,STL-16GA,TAML VALVE	1
36	035160	WDMT,DRAIN-RECOVERY TANK	1
37	054762	GASKET,FOAM-.187X2.87X2.87	1
38	057421	VALVE,SLIDE-1-1/2PIPE,27" AUTO	1
39	053894	FITTING-REDUCER,1.66-1.50,PLS	1
40	057106	TUBE,PVC-RS098403,4.500L	1
41	057438	TANK,REC-MACH'D,28VS,70VS	1
42	056758	ASM,ELBOW-RECOVERY TANK	1
43	057002	SWITCH,FLOAT W/WIRE	1
44	056617	WIRE ROPE-.062DIA X6.00L	1
45	057890	GASKET-.375X.375X36.00L	1
46	057579	LID,DOMED-DURASCRUB,CLEAR	1

## AVAILABLE ASSEMBLIES

035490 ASM, RECOVERY TANK--INCLUDES ITEMS 1-14, 16, 19, 21, 24-31, 35-46

# BACK PANEL ASSEMBLY



TM-1925

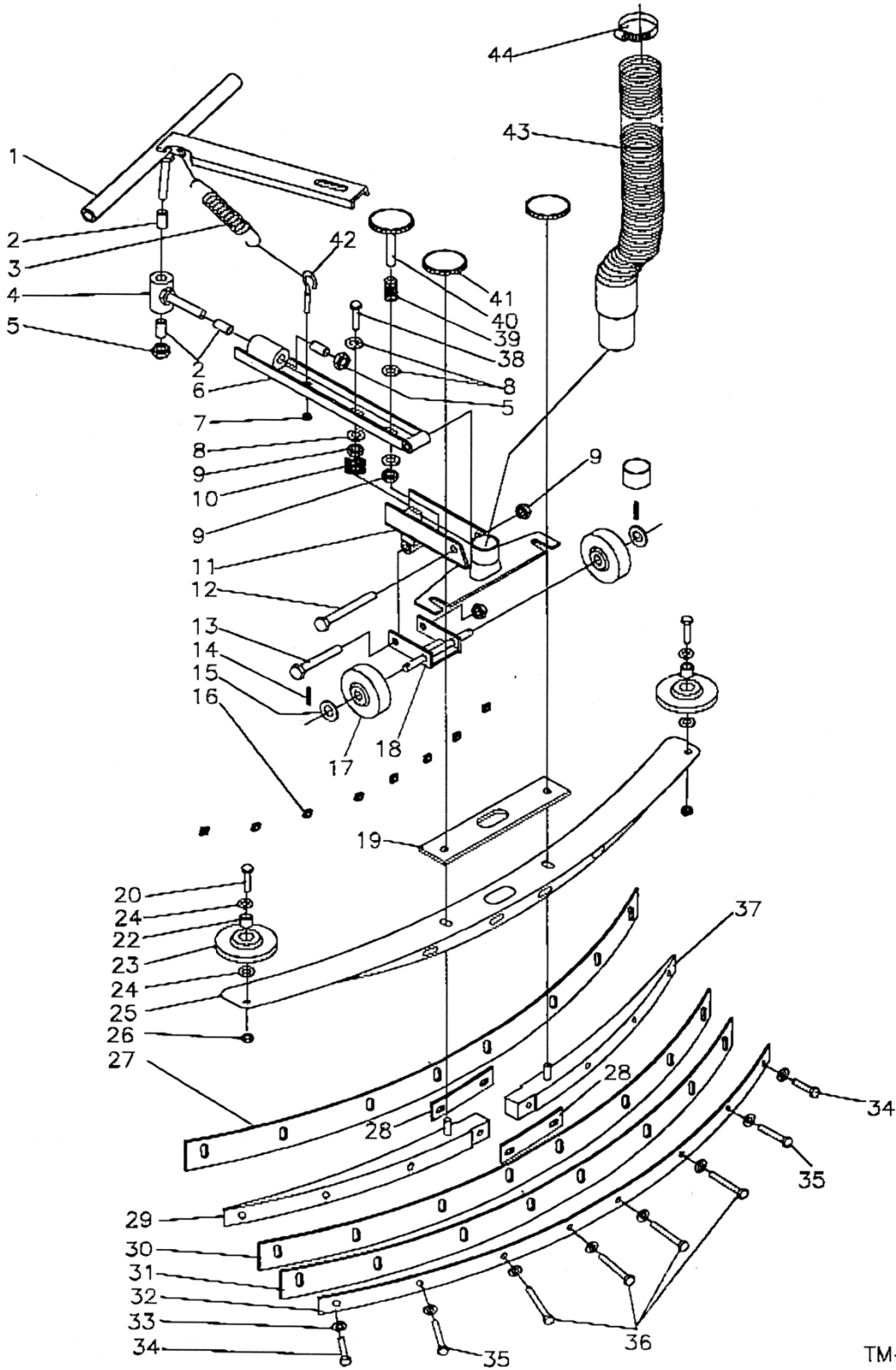
# BACK PANEL ASSEMBLY

DET	PART NO.	DESCRIPTION	QTY
1	003363	NUT,HEX LOCK--.250-20,ZN PLT	4
2	003415	NUT,HEX LOCK-- 8-32,NYLOC,ZN	2
3	026164	INSULATOR,ELEC--MYLAR,11.5X7	1
4	057176	TUBE,PLSTC--SLIT,.810DX11.0"L	1
5	035384	WDMT,SHAFT--ACTUATOR	1
6	057366	ROD,STL--SUPPORT,HNDL,KA-33SS	1
7	050872	SPACER,PHEN--.250X.500, .375L	2
8	002273	SCR CAP HEX HD .250-20X1.75L	1
9	035488	ASM,SQUEEGEE LIFT--27SS	1
10	002495	SCR CAP SOC HD 10-24X1.25L	1
11	035486-02	WDMT,SQUEEGEE--27SS,PLATED	1
12	005480	NUT,HEX LOCK-- 10-24,NYLOC	1
13	035515-05	WDMT,HANDLE--SQUEEGEE,PAINTED	1
14	057391	HANDLE,BALL--ALUM,2.125 DIA	1
15	004254	WSHR LK .267ID.510OD.028T EXT	3
16	002480	SCR MACH PAN HD .250-20X.625L	1
17	026645	SOLENOID--24V	2
18	001514	SCR TPG F PAN HD .250-20X.375L	12
19	002263	SCR MACH RD HD .250-20X1.25L	1
20	005410	SCR MACH RD HD 8-32X1.00L	2
21	026133	CONTROL--DC,AUTOS,CRTS,24V	1
22	053296	ROD,STL--.312 DIA., 6.00 LONG	1
23	004297	PIN,COTTER--.094X .750 LONG	2
24	057413-05	BRKT--ARM STOP,KA-27,PAINTED	1
25	048987	COLLAR-CENTERING SPRING	2
26	001248	SCR MACH RD HD 6-32X1.00L	6
27	056597	SPRING,COMP .480D 2.75L .045WD	2
28	002278	WSHR LK .262ID.489OD.062TSPLT	2

DET	PART NO.	DESCRIPTION	QTY
29	002247	SCR MACH RD HD .250-20X.625L	3
30	057388	SPRING,COMP .975D .88 L .112WD	1
31	057517	SPACER,NYLON--.50ID,.710D,.39T	1
32	004238	WSHR FLT .531ID1.00OD.071T STL	3
33	003361	NUT,HEX LOCK-- 6-32,NYLOC	8
34	026603	SWITCH,LVR--SPDT,20A,125-250V	3
35	057428	SPACER,ALUM--.187X.375, .375L	4
36	001497	SCR MACH RD HD 6-32X1.50L	2
37	054845	GROM--3.00ID,3.50MHD,.12PA	1
38	026180	RELAY,POWER--24VDC,40/30A,SPDT	2
39	027165	SOLENOID--24V,SPST,NORM OPEN	1
40	056672	GROM--2"IDX2.44MHDX.12PA	1
41	055434	GROM--1.0ID,1.25MHD,.125PA	1
42	003472	NUT,HEX LOCK--.312-18,NYLOC	2
43	003356	NUT,HEX JAM--.312-18,ZN PLT	2
44	004444	WSHR LK .332ID.610OD.034T EXT	2
45	035481	WDMT,BACK PANEL--KA-27SS	1
46	004221	WSHR FLT .344ID1.00OD.036T STL	2
47	057872	INSULATOR--MAIN TERMINAL	2
48	003249	SCR CAP HEX HD .312-18X1.25L	2
49	004249	WSHR LK .150ID.320OD.022T EXT	2
50	027131	BRG,FLANGE--.500ID.750OD.500W	4
51	004351	RING,RTNG--EXT,.500 SHAFT, "E"	4
52	027240	ASM,CHARGER PLUG--2 CNDCT	1
53	005624	PIN,ROLL--.312 DIA,1.000L	2
54	222258	NUT,HEX--.250-20,SS	1
55	005433	WSHR FLT .281ID.750OD.120T STL	2



# SQUEEGEE ASSEMBLY



TM-1927

# SQUEEGEE ASSEMBLY

DET	PART NO.	DESCRIPTION	QTY
1	035310	WDMT,SQUEEGEE LIFT--27 AUTO	1
2	027171	BRG,SLV-.500ID,.625OD,.750W	4
3	051136	SPRING,EXT .750D 2.92L .104WD	1
4	035150	WDMT,SQUEEGEE PIVOT--33&39AUTO	1
5	003370	NUT,HEX LOCK--.500-13,ZN PLT	2
6	035137	WDMT,SQUEEGEE BAR--33&39 AUTOS	1
7	005479	NUT,HEX LOCK--.250-20,NYLOC,ZN	1
8	005219	WSHR FLT .406ID1.00OD.071T STL	4
9	005279	NUT,HEX LOCK--.375-16,NYLOC	4
10	056808	SPRING,COMP .970D .750L .072WD	1
11	035138	WDMT,SQUEEGEE BRACKET--33&39	1
12	002445	SCR CAP HEX HD .375-16-2.50L	1
13	003268	SCR CAP HEX HD .375-16X3.00L	1
14	005383	PIN,COTTER--.094X1.000 LONG	2
15	004223	WSHR FLT .406ID.625OD.036T STL	2
16	005591	NUT,SELF RETAINING--.250-20	8
17	057193	WHEEL,PLASTIC--3"OD,3/8"BORE	2
18	034172	WDMT,BRACKET--SQUEEGEE WHEEL	1
19	056466	GASKET,SQUEEGEE--.187X2.9.75L	1
20	003249	SCR CAP HEX HD .312-18X1.25L	2
22	053699	SPACER,STL--.312X.437 .43L	2
23	053720	WHEEL--4.00DIA.,.438BORE,.688HB	2

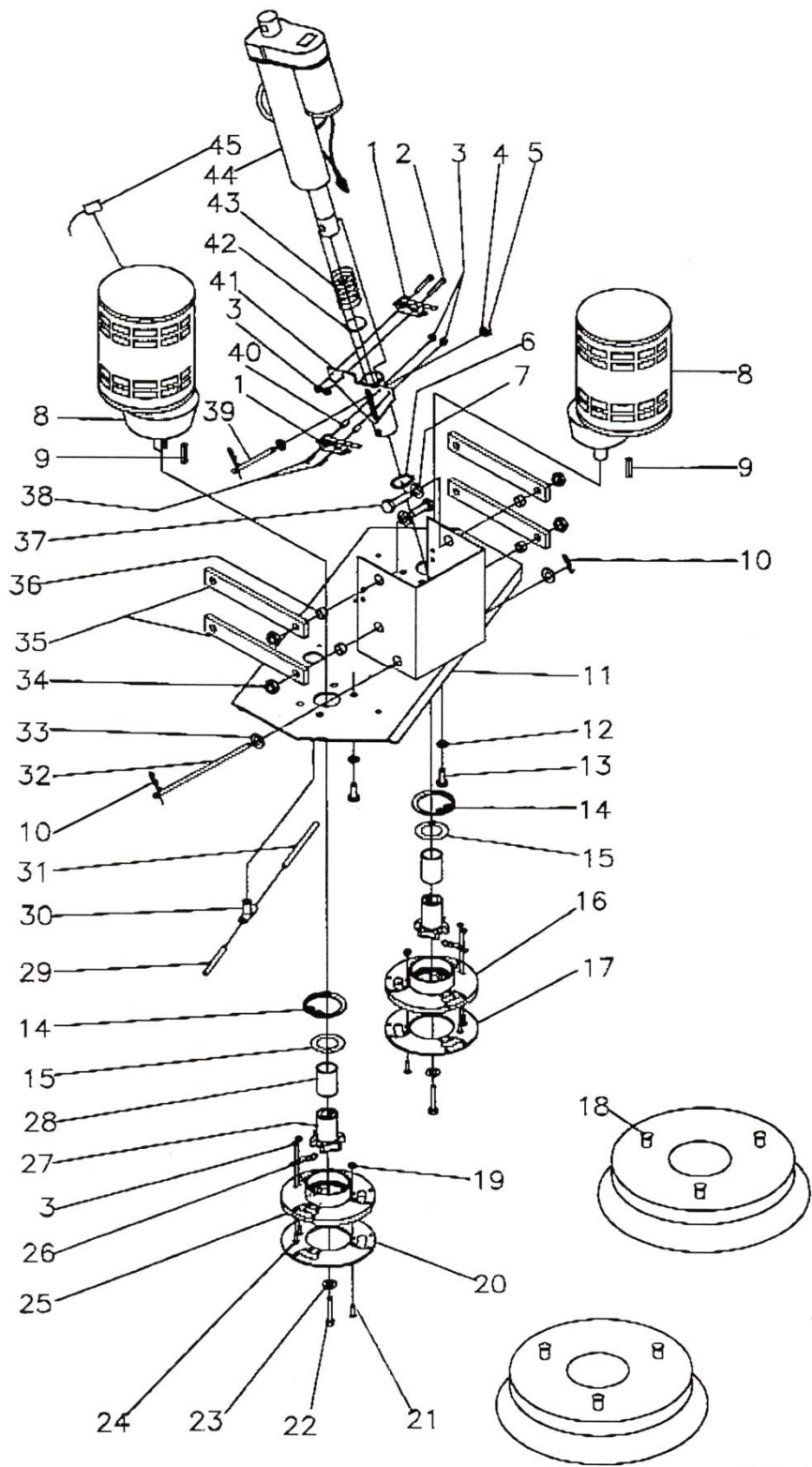
DET	PART NO.	DESCRIPTION	QTY
24	004218	WSHR FLT .344ID.750OD.060T STL	4
25	035118	WDMT,SQUEEGEE--27"AUTO	1
26	003378	NUT,HEX LOCK--.312-18,ZN PLT	2
27	056425	RUBBER,SQUEEGEE--FRT,27"AUTO	1
28	056461	CLAMP,SQUEEGEE--11GA,5.00L	2
29	056285	SPACER,SQUEEGEE--LEFT,27"AUTO	1
30	056427	RUBBER,SQUEEGEE--REAR,27 AUTO	1
31	056426	RUBBER,SQUEEGEE--BACKUP,27 AUT	1
32	056671	STRAP,SQUEEGEE--27"AUTO	1
33	004531	WSHR FLT .281ID.625OD.080T,SS	8
34	002454	SCR CAP HEX HD .250-20X1.50L	2
35	002476	SCR CAP HEX HD .250-20X2.00L	2
36	002455	SCR CAP HEX HD .250-20X2.50L	4
37	056435	SPACER,SQUEEGEE--RIGHT,27"AUT	1
38	002332	SCR CAP HEX HD .375-16X1.75L	1
39	056585	SPRING,COMP .845D 1.75L .085WD	1
40	035163	ASM,KNOB--ADJUSTMENT,.375-16	1
41	047484	KNOB,PLSTC--2.38OD,.38-18THD	2
42	005594	BOLT,EYE--.250-20,X1.0 SHANK	1
43	035302	ASM,HOSE--SQUEEGEE,1.5DIA,BLK	1
44	046688	CLAMP,HOSE--1.75 MAX DIA,WORM	1

## AVAILABLE ASSEMBLIES

035215 ASM,SQUEEGEE--INCLUDES ITEMS 16, 19-37

035309 ASM, SQUEEGEE LINKAGE--INCLUDES ITEMS 1-18, 38-41

# BRUSH HEAD ASSEMBLY



TM-1929

# BRUSH HEAD ASSEMBLY

DET	PART NO.	DESCRIPTION	QTY
1	026603	SWITCH,LVR-SPDT,20A,125-250V	3
2	001489	SCR MACH RD HD 6-32X1.75L	2
3	003361	NUT,HEX LOCK- 6-32,NYLOC	4
4	005227	WSHR FLT .531ID.875OD.036T STL	2
5	005200	PIN,COTTER-.125X1.000 LONG	2
6	046762	RING,RTNG-INT,1.18 CYL,N5000	1
7	004238	WSHR FLT .531ID1.00OD.071T STL	4
8	024439	ASM,MTR&GEAR UNIT-24V,W/RINGS	2
9	057663	KEY,SQUARE-.250 SQ,1.437 LONG	2
10	004352	PIN,LOCK-.125 DIA WIRE	2
11	035313	WDMT,BRUSH HEAD-27 AUTO	1
12	004214	WSHR LK .390ID.683OD.094TSPLT	8
13	003262	SCR CAP HEX HD .375-16X1.00L	8
14	004529	RING,RTNG-INT,2.375 BORE	2
15	004548	WSHR FLT 1.770ID2.342OD.078T	2
16	056447	HUB,DRIVE-BRUSH,AUTOS,RIGHT	1
17	057160	PLATE,SS-BRUSH MTG RING,LEFT	1
18	005630	LUG,BRUSH-.250-20 THREAD	6
19	222224	NUT,HEX LOCK-- 10-24,ZN PLT	12
20	057159	PLATE,SS-BRUSH MTG RING,RIGHT	1
21	002473	SCR MACH FLT HD 10-24X.875L	12
22	002499	SCR CAP SOC HD .312-18X1.50L	2
23	005358	WSHR LK-.326ID.586OD.078T SPL	2

DET	PART NO.	DESCRIPTION	QTY
24	001515	SCR MACH PAN HD 6-32X.500L	4
25	056446	HUB,DRIVE-BRUSH,AUTOS,LEFT	1
26	057046	CLIP,RETAINING-BRUSH LUG,27	2
27	056445	SHAFT,DRIVE-BRUSH,AUTOS	2
28	056464	TUBE,SS-1.50OD,16GA,1.937L	2
29	057580-8	TUBE,VINYL-.375X.625,5.0L,R	1
30	046944	TEE,HOSE-3/8X3/8X3/8,PLSTC	1
31	057580-7	TUBE,VINYL-.375X.625,9.2L,R	1
32	056987	SHAFT,STL-.375DIA, 5.75L	1
33	005219	WSHR FLT .406ID1.00OD.071T STL	2
34	003370	NUT,HEX LOCK--500-13,ZN PLT	4
35	056254	BAR,STL-.375X1.25, 9.00L	4
36	056473	SPACER,STL-.531X.750, .218L,Z	4
37	003270	SCR CAP HEX HD .500-13X1.25L	4
38	005261	SCR MACH RD HD 6-32X1.25L	2
39	056155	PIN-ACTUATOR	1
40	046425	SPACER,PHEN--250X.437, .250L	2
41	035547-02	WDMT,ACTUATOR TUBE-BRUSH,PLTD	1
42	056639	PLATE,STL-13GA,1.125DIA	1
43	054427	SPRING,COMP 1.09D 2.50L .035WD	1
44	027154	ACTUATOR,DC-24V,500LBS,6IN	1
45	039276	BRUSH,MTR--FOR 024372&027153	4

## AVAILABLE ASSEMBLIES

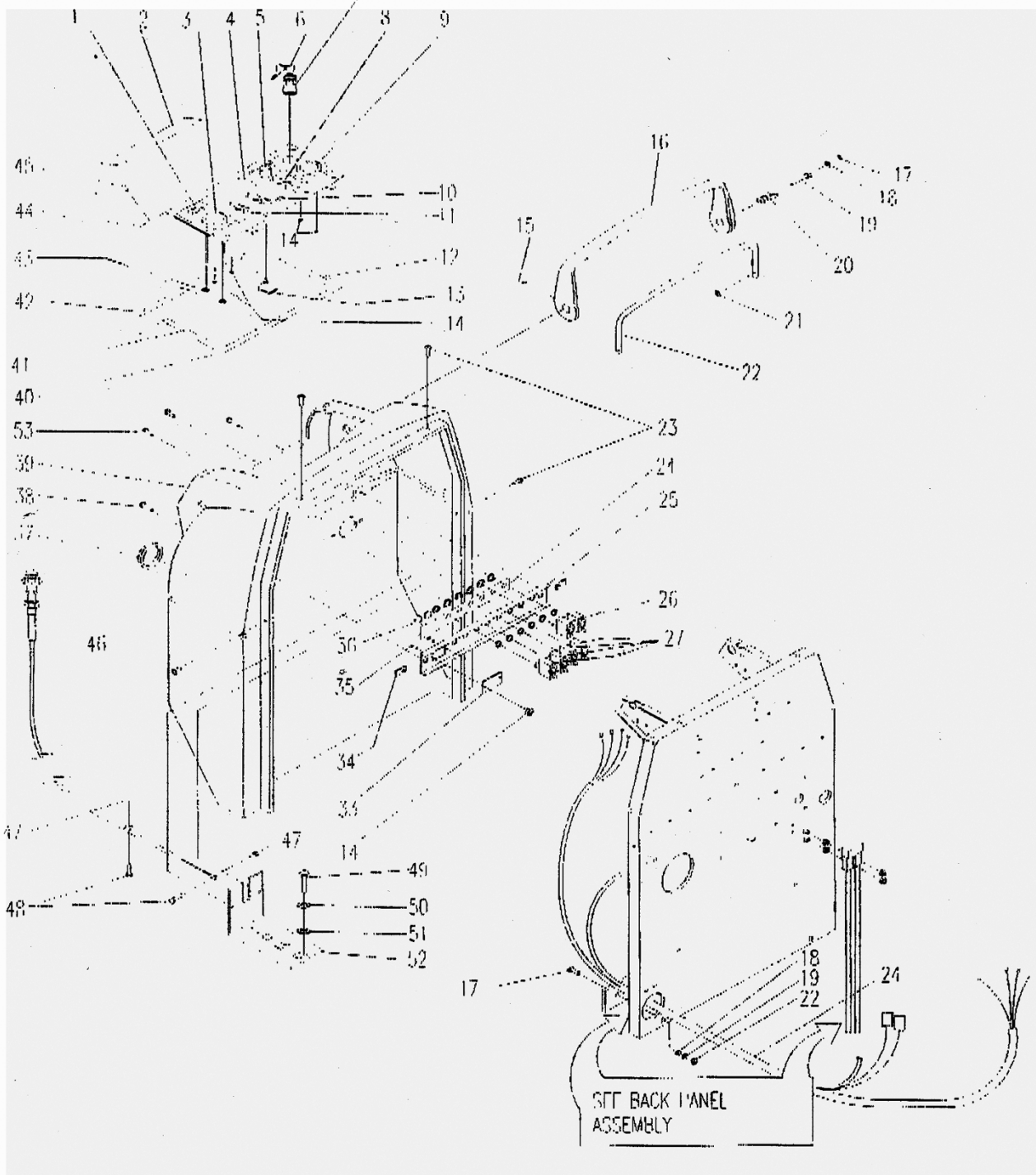
035491 ASM, BRUSH HEAD--INCLUDES ITEMS 1-17, 19-45

035366 ASM, DRIVE HUB, RIGHT--INCLUDES ITEMS 14, 15, 19-28

035367 ASM, DRIVE HUB, LEFT--INCLUDES ITEMS 14-17, 19, 21-24, 26-28

# REAR COVER ASSEMBLY

INCLUDES ITEM 6



EM-1940

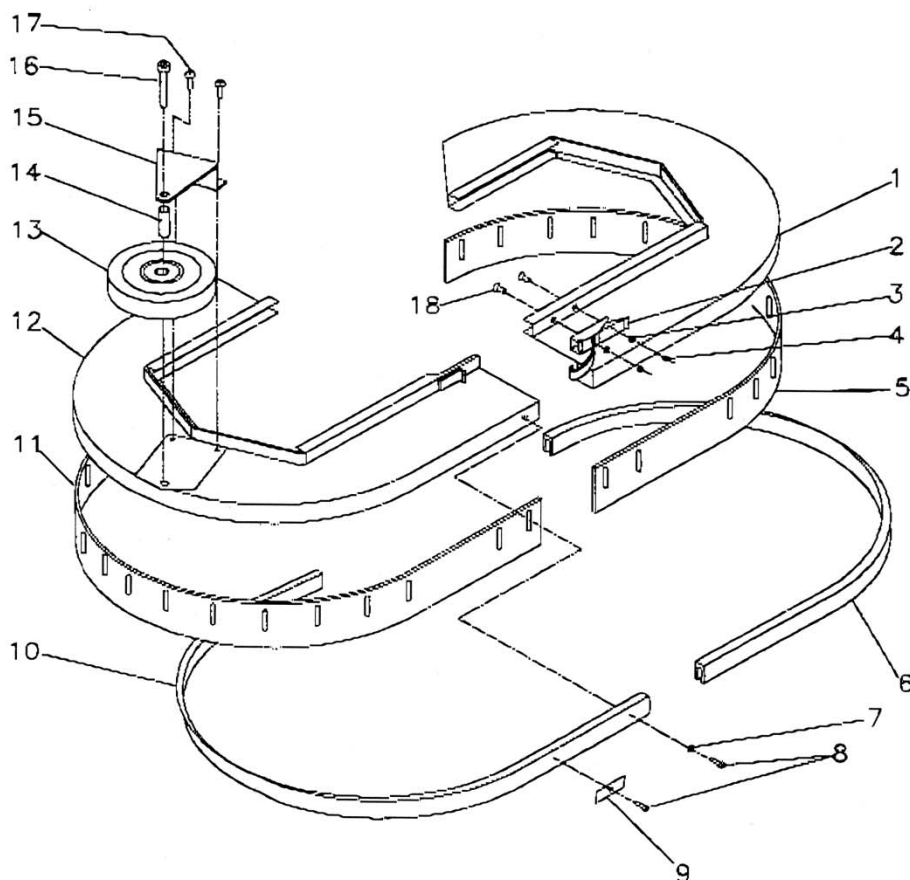


# REAR COVER ASSEMBLY

DET	PART NO.	DESCRIPTION	QTY
1	026046	SWITCH,RKR--DPDT	1
2	057836	LABEL--WARNING,AUTOMATICS	1
3	026131	AMMETER,DC--0-75A,ROUND,2.0DIA	1
4	057614	LABEL--INSTR PANEL,SELECTSCRUB	1
5	056596	KNOB,PLASTIC--BLACK,.92DIA X.95	1
6	057243	KEY,AUTOMATICS--FOR P/N 026584	1
7	026584	STARTER-SWITCH-LOCKING	1
8	026130	SWITCH,RKR--DPDT,ON/OFF/ON	1
9	026135	VOLTMETER--18-30 VDC,ROUND	1
10	026129	SWITCH,RKR--DPST,OFF/ON/(ON)	1
11	027241	SWITCH,RKR--SPDT,ON/OFF MOMT	1
12	057308	GASKET--.125x.500,8.656L,LEFT	1
13	026243	POTENTIOMETER ASSEMBLY	1
14	003361	NUT,HEX LOCK-- 6-32,NYLOC	6
15	005387	SCR SET CUP PT .312-18X.500L	2
16	056594	HANDLE,ACTUATOR--AUTOS,PAINTED	1
17	056761	RING,RTNG--INT.,.500BORE,N5000	2
18	004208	WSHR FLT .281ID.500OD.036T STL	2
19	002337	SCR CAP SOC HD .250-20X1.50L	2
20	056359	SHAFT,STL--.750DIA,1.75L	2
21	005478	SCR MACH RD HD .250-20X.500L	2
22	056595	HANDLE,STL--.625DIA,PAINTED	1
23	001331	SCR TPG C PAN HD 10-24X.750L	6
24	057430	LABEL--CIRCUIT BREAKER,SS AUTO	1
25	056499	PANEL,CIRCUIT BREAKER--AUTOS	1
26	026751	CIRCUIT BREAKER--10AMP	2
27	026198	CIRCUIT BREAKER--30AMP,SCR TRM	4

DET	PART NO.	DESCRIPTION	QTY
28	003349	NUT,HEX--.312-18,ZN PLT	2
29	004212	WSHR LK .326ID.586OD.078TSPLT	2
30	004218	WSHR FLT .344ID.750OD.060T STL	2
31	003244	SCR CAP HEX HD .312-18X.750L	2
32	027172	HARNESS,WIRE--SS/BRUSH PAUSE	1
33	057322-05	PLATE,STL--BREAKER PANEL,PAINT	1
34	003429	NUT,SPEED,U--.250-20,.58X1.125	2
35	223188	SCR MACH PAN HD 6-32X.500L	2
36	057103	PLUG,DOME--.500DIA,BLK PLSTC	2
37	057058	GROM--2"ID,3"OD,.25GW	1
38	002248	SCR MACH RD HD .250-20X.750L	2
39	057491	COVER,REAR--MACH,VS28&70	1
40	057306	GASKET--.125x.500,13.75L,TOP	1
41	057309	GASKET--.125x.500,8.656R	1
42	057310	GASKET--.125x.500,12.75L	1
43	005479	NUT,HEX LOCK--.250-20,NYLOC,ZN	2
44	057343	PANEL,INSTR--SELECT SCRUB	1
45	002382	SCR TPG F PAN HD 10-10X.500L	6
46	056323	ASM,CABLE--BRAKE,VERNIER CNTRL	1
47	005480	NUT,HEX LOCK-- 10-24,NYLOC	2
48	005456	SCR MACH PAN HD 10-24X.500L	2
49	223218	SCR CAP HEX HD .250-20X.625L	2
50	002278	WSHR LK .262ID.489OD.062TSPLT	2
51	004254	WSHR LK .267ID.510OD.028T EXT	2
52	056718	BRACKET,STL--BRAKE CABLE,27	1
53	002343	SCR TPG F PAN HD .250-20X.500L	2

# BRUSH COVER ASSEMBLY



TM-1933

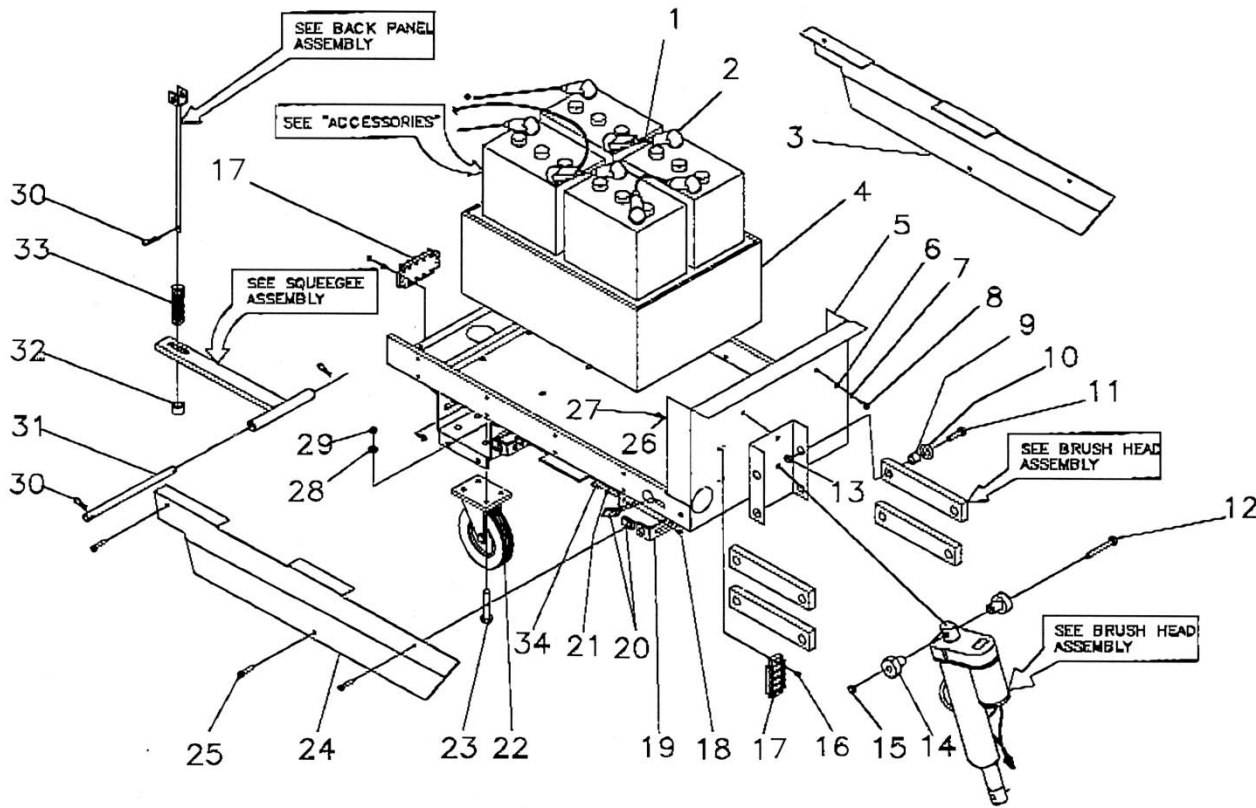
DET	PART NO.	DESCRIPTION	QTY
1	035282	WDMT,BRUSH COVER--27 AUTO,LEFT	1
2	054306	CLAMP,TOGGLE-BLACK,1.62 LATCH	1
3	005297	WSHR LK .200ID.334OD.047TSPLT	2
4	003279	NUT,HEX- 10-24,ZN PLT	2
5	056937	GUARD,SPLASH-27 AUTO,LEFT	1
6	056939	CHANNEL,VINYL-BRUSH CVR,27,LT	1
7	005323	WSHR FLT .203ID.500OD.036T STL	4
8	005482	SCR TPG F PAN HD 10-24X.875L	22
9	052006	STR,STL-.062X.437X1.50 LONG	18
10	056938	CHANNEL,VINYL-BRUSH CVR,27,RT	1

DET	PART NO.	DESCRIPTION	QTY
11	056936	GUARD,SPLASH--27 AUTO,RIGHT	1
12	035281	WDMT,BRUSH COVER--27 AUTO,RT	1
13	056673	WHEEL,BLACK-5" OD	1
14	056684	SPACER,STL-.500X17GA,1.50L,Z	1
15	056701	BRACKET,BUMPER WHEEL-27 AUTO	1
16	005536	SCR GAP SOC HD .375-16X2.00L	1
17	002357	SCR MACH PAN HD .250-20X.625L	2
18	001288	SCR MACH FLT HD 10-24X.500L	2

## AVAILABLE ASSEMBLIES

- 035283 ASM, BRUSH COVER, RIGHT--INCLUDES ITEMS 7-17
- 035284 ASM, BRUSH COVER, LEFT--INCLUDES ITEMS 1-9, 18

# FRAME ASSEMBLY



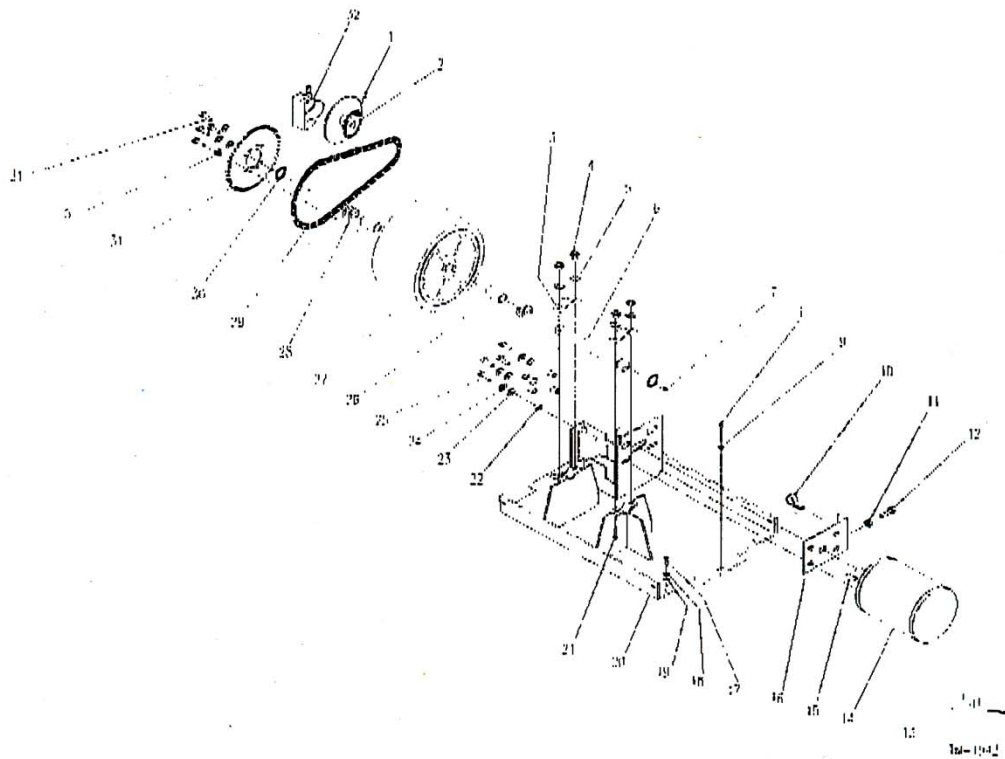
TM-1935

DET	PART NO.	DESCRIPTION	QTY
1	025085	ASM,WIRE-- 6GA,BLK,10.2L,RINGS	3
2	054186	BOOT,INSULATOR--BATT TERMINALS	8
3	056717	SKIRT,LOWER--27 AUTO,LEFT	1
4	056727	BOX,BATT--MACH,27 AUTO	1
5	035277	WDMT--UPPER CHASSIS,27"	1
6	005526	WSHR FLT .281ID1.25OD.063T STL	2
7	004254	WSHR LK .267ID.510OD.028T EXT	2
8	223218	SCR CAP HEX HD .250-20X.625L	2
9	056473	SPACER,STL--.531X.750, .218L,Z	4
10	004238	WSHR FLT .531ID1.00OD.071T STL	4
11	003270	SCR CAP HEX HD .500-13X1.25L	4
12	003267	SCR CAP HEX HD .375-16X2.75L	1
13	003370	NUT,HEX LOCK--.500-13,ZN PLT	4
14	054502	BSHG,SLV--.377ID.498OB1.00FLNG	2
15	005279	NUT,HEX LOCK--.375-16,NYLOC	1
16	003279	NUT,HEX-- 10-24,ZN PLT	8
17	026111	TERMINAL BLOCK--4 TERM,50 AMP	2

DET	PART NO.	DESCRIPTION	QTY
18	003283	NUT,HEX--.250-20,ZN PLT	4
19	056715	BRACKET,STL--SKIRTS,27 AUTO	4
20	003429	NUT,SPEED,U--.250-20,.58X1.125	4
21	004254	WSHR LK .267ID.510OD.028T EXT	6
22	055658	CASTER,SWIVEL--5.0 DIA,700 LB	2
23	003262	SCR CAP HEX HD .375-16X1.00L	8
24	056716	SKIRT,LOWER--27 AUTO,RIGHT	1
25	002480	SCR MACH PAN HD .250-20X.625L	6
26	004253	WSHR LK .204ID.410OD.026T EXT	8
27	005457	SCR MACH PAN HD 10-24X1.00L	8
28	004214	WSHR LK .390ID.683OD.094TSPLT	8
29	003293	NUT,HEX--.375-16,ZN PLT	8
30	004352	PIN,LOCK--.125 DIA WIRE	3
31	056977	SHAFT,STL--.375 DIA,11.00L	1
32	056683	SPACER,STL--.391X.625, .500L,Z	1
33	056618	SPRING,COMP .845D 3.50L .100WD	1
34	002253	SCR CAP HEX HD .250-20X.750L	4



# CHASSIS ASSEMBLY



DET	PART NO.	DESCRIPTION	QTY
1	002234	SCR SET CUP PT .250-20X.500L	1
2	057751	WDMT,BRAKE DISC-DURA SCRUB	1
3	056327	CLAMP,AXLE-BLACK	2
4	003349	NUT,HEX-.312-18,ZN PLT	4
5	004212	WSHR LK .326ID.588OD.078TSPLT	8
6	056258	AXLE-1.00 DIA X 9-5/16"L	1
7	054330	ZERK,GREASE-.250-28 THREAD	1
8	002480	SCR MACH PAN HD .250-20X.625L	2
9	004254	WSHR LK .267ID.510OD.028T EXT	2
10	003429	NUT,SPEED,U-.250-20,.58X1.125	1
11	222226	NUT,HEX JAM-.250-20,ZN PLT	1
12	002454	SCR CAP HEX HD .250-20X1.50L	1
13	057974	BRUSH,CARBON-FOR 026191	4
14	026191	MTR,DC-24V,.50HP.320RPM	1
15	057975	KEY,SQUARE-.250 SQ.1.000LONG	1
16	057833-05	BRACKET,TENSION-TRAC DRV,BLK	1

DET	PART NO.	DESCRIPTION	QTY
17	003259	SCR CAP HEX HD .375-16X.625L	4
18	004215	WSHR LK .398ID.694OD.040T EXT	4
19	005320	WSHR FLT .406ID.750OD.060T STL	4
20	035612-05	WDMT,BASE-24V MTR&WHEEL,AUTO	1
21	003244	SCR CAP HEX HD .312-18X.750L	8
22	050974	SPACER,STL-.281X.500,.41 LG	4
23	004462	WSHR FLT .250ID1.00OD.062T STL	4
24	002278	WSHR LK .262ID.489OD.062TSPLT	4
25	002254	SCR CAP HEX HD .250-20X.875L	4
26	027130	BEARING,SLEEVE-1"ID.1.25"OD	2
27	035097	ASM,WHEEL-10"OD,AUTO'S	1
28	004330	WSHR FLT 1.05ID1.50OD.036T STL	4
29	057899	CHAIN,ROLLER-#40,67LK & CONN	1
30	048537	RING,RTNG-EXT,.984 SHAFT,5160	2
31	051376	SPROCKET,CHAIN-#40,.500P,44T	1
32	056245	BRAKE,MECHANICAL-CALIPER	1

## AVAILABLE ASSEMBLIES

035611 ASM, LOWER CHASSIS--INCLUDES ITEMS 1-7, 10-16, 20-32

WIRING DIAGRAM

